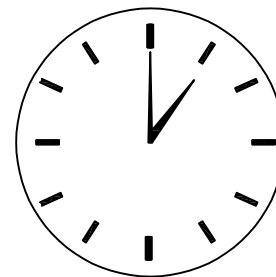
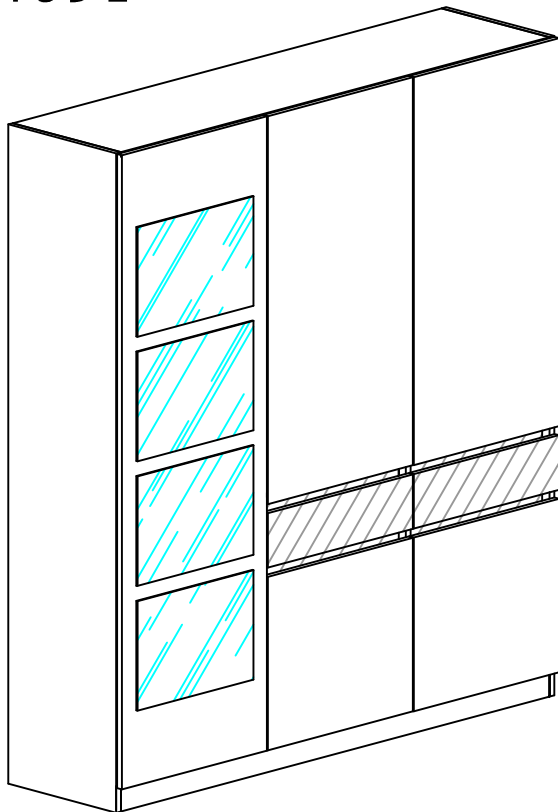
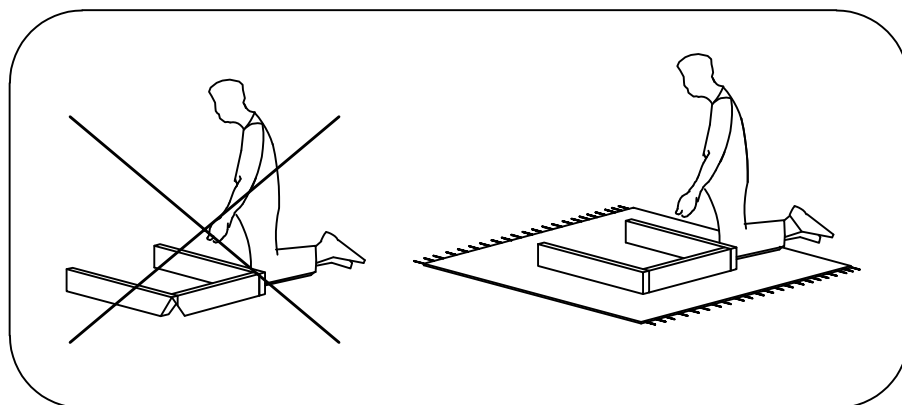
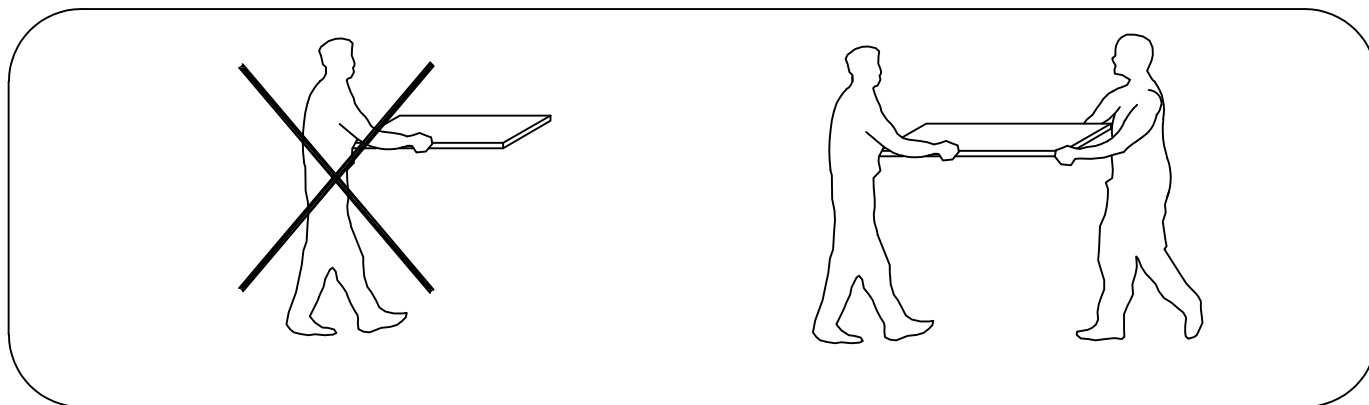
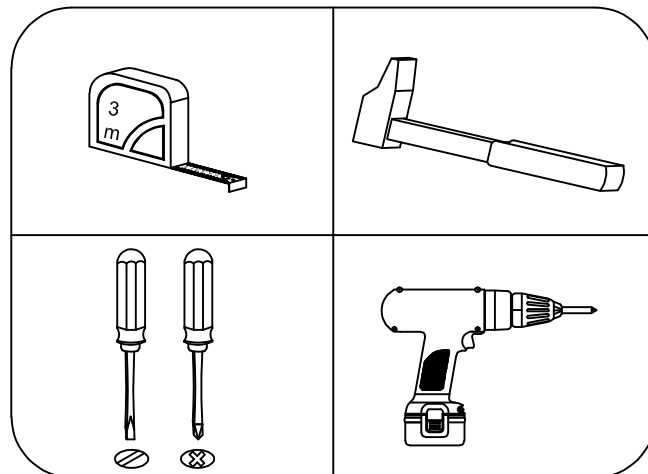
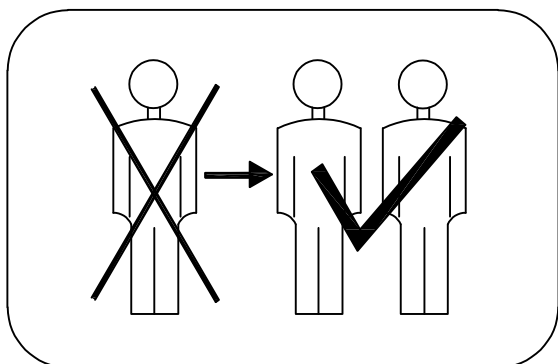


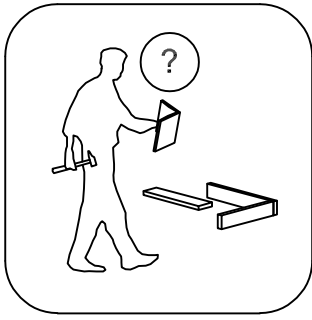
City 4091



180 min.



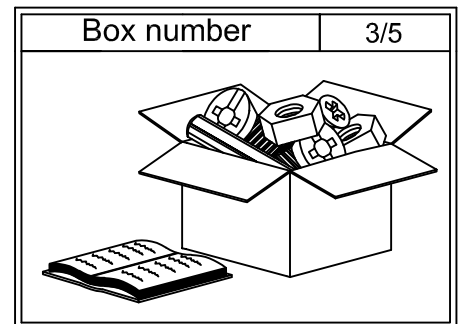
<http://www.irimbg.com/instructions/>



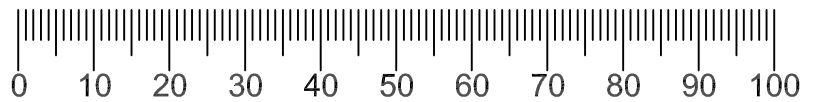
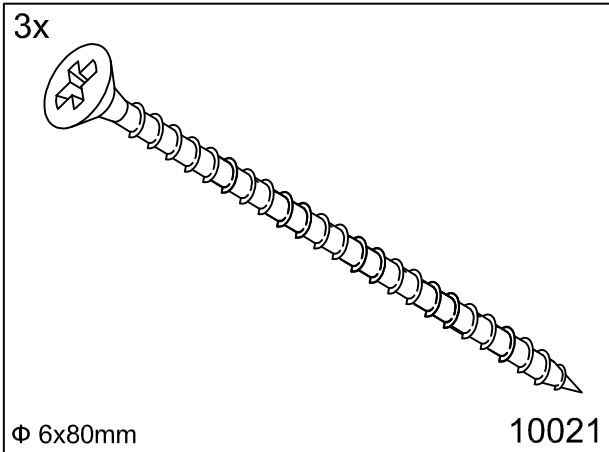
44x 10174	4x L=86mm 10072	60x Φ 8x30mm 10013
52x 50317	4x 40121	5x soft closing 40158
2x L=350mm 50937	2x 50008	1x 40114
16x 50332	6x 50246	3x 50986
3x 10060	5x soft closing 40159	3x 50986

94x Φ 3,5x16mm 10001	12x Φ 3,5x20mm 10002
-------------------------------------	-------------------------------------

6x Φ 3,5x30mm 10004



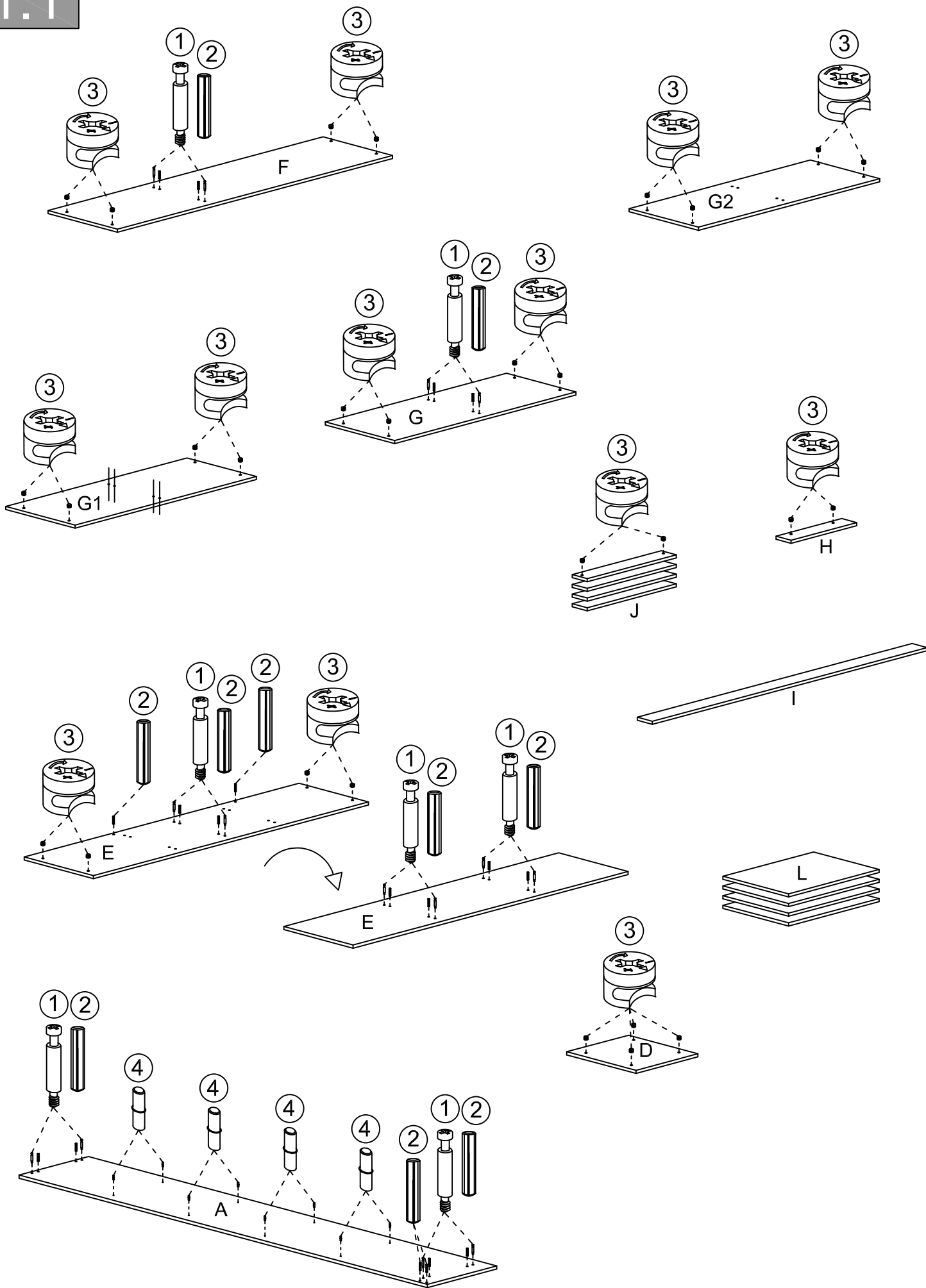
True size

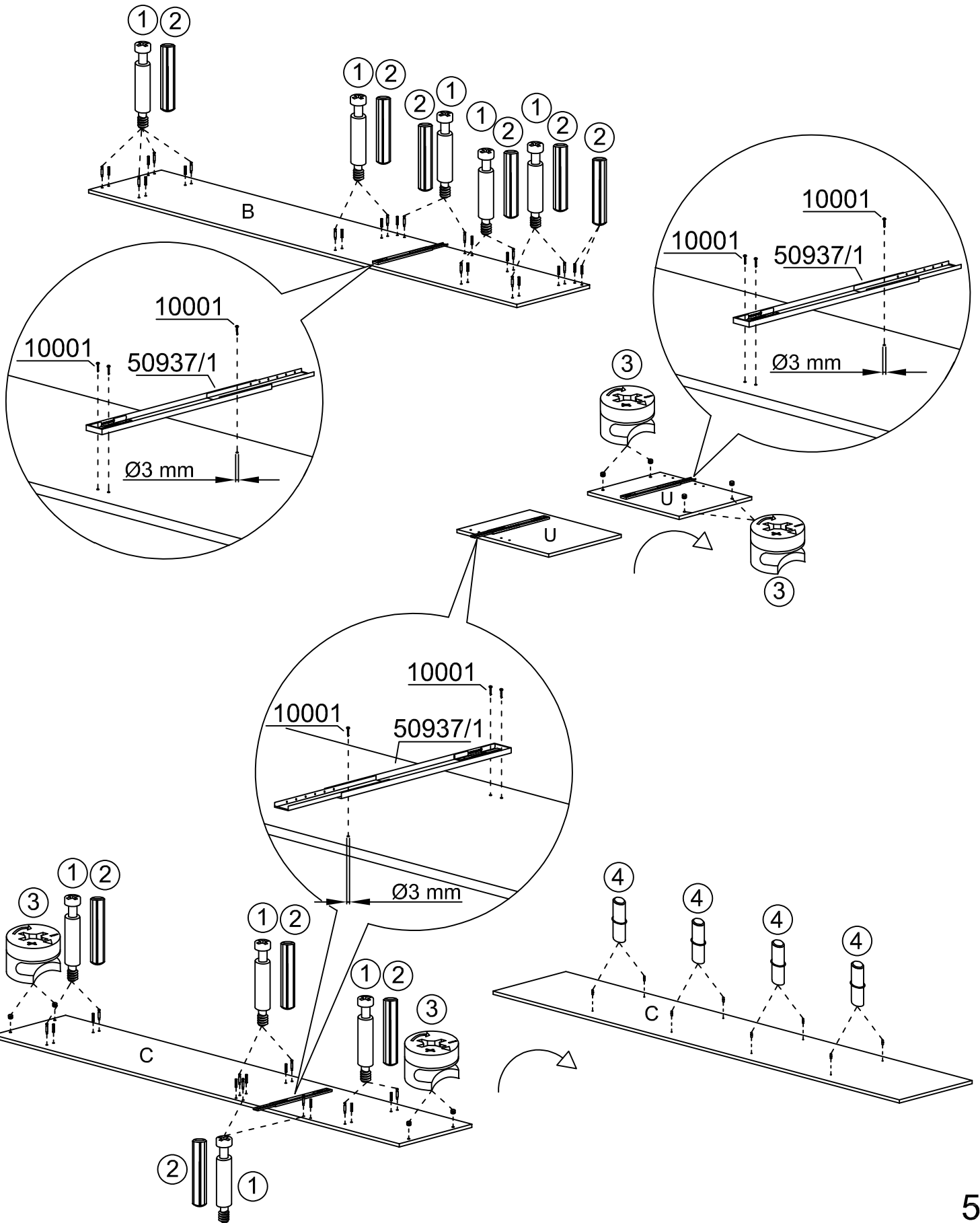
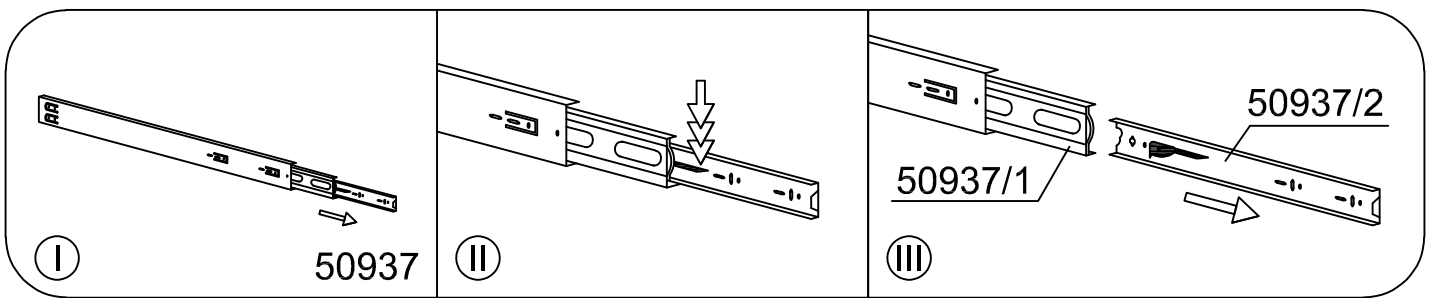


	\updownarrow \longleftrightarrow	Box number
A	2180x370	1/5
B	2180x370	1/5
C	2068x370	2/5
D	370x330	3/5
E	370x1468	3/5
F	370x1468	3/5
G	370x976	2/5
G1	370x976	3/5
G2	370x976	2/5
H	80x350	2/5
I	80x1468	2/5
J	4x 480x80	3/5

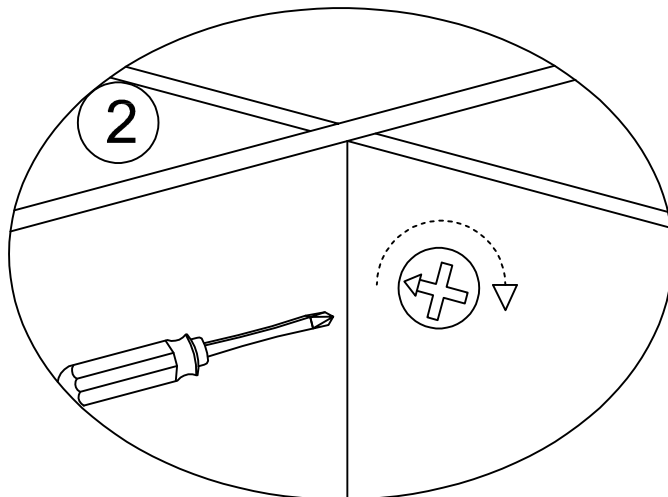
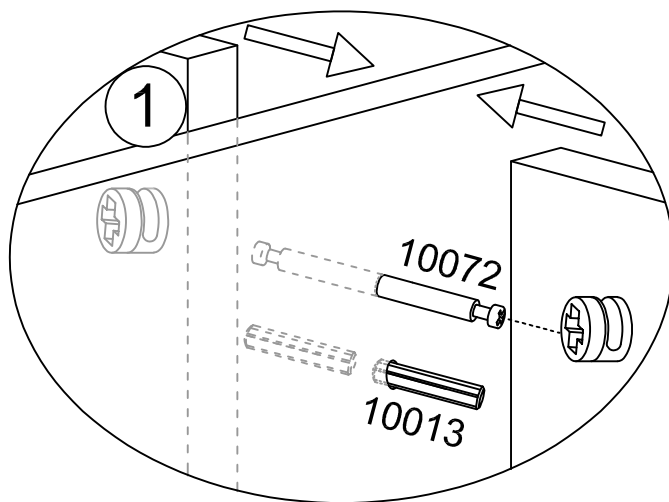
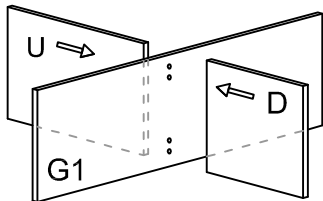
	\updownarrow \longleftrightarrow	Box number
L	4x 350x476	3/5
M	3x 2095x498	5/5
N	2097x497	5/5
O,O1	2x 1283x497	4/5
P,P1	2x 574x497	4/5
Q	4x 100x350	2/5
R	4x 100x421	2/5
S	2x 452x345	5/5
T,T1	2x 497x180	2/5
U	466x371	3/5

1.1

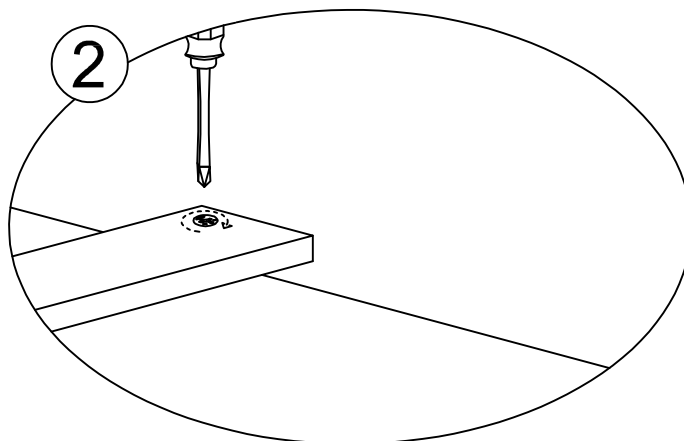
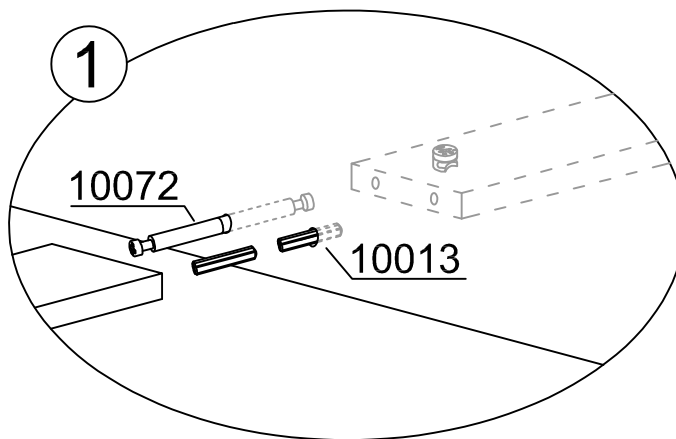
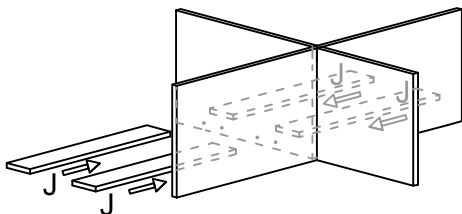




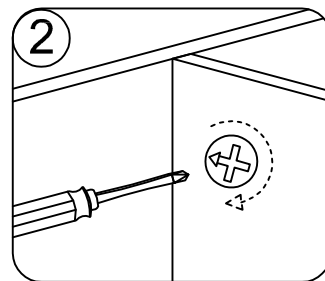
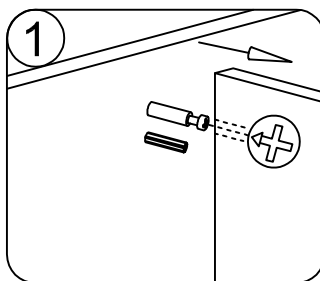
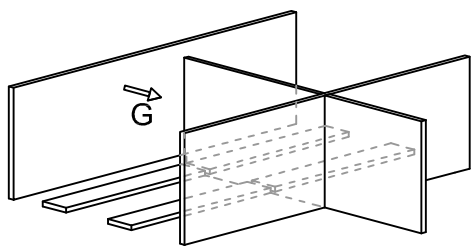
1.2



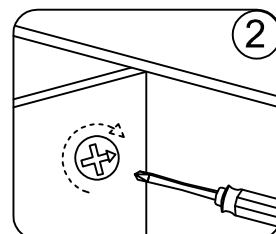
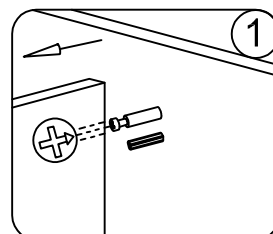
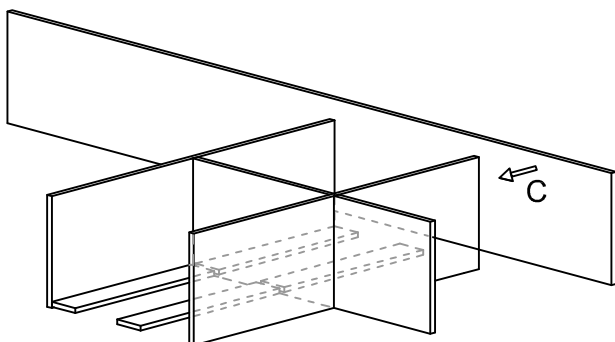
1.3



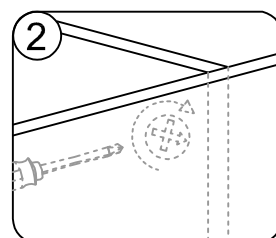
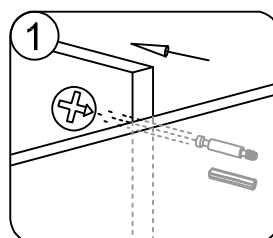
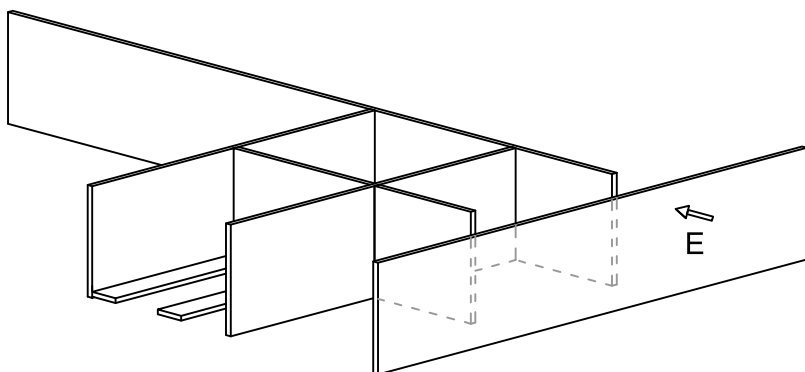
1.4



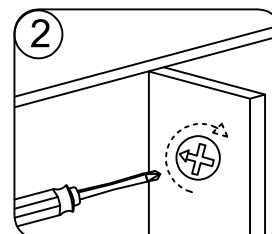
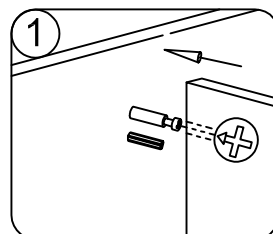
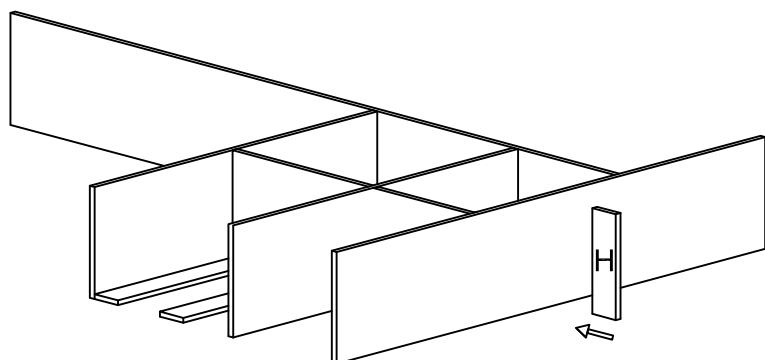
1.5



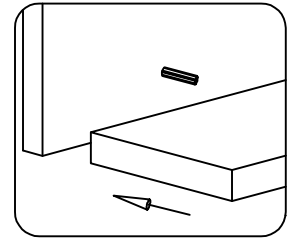
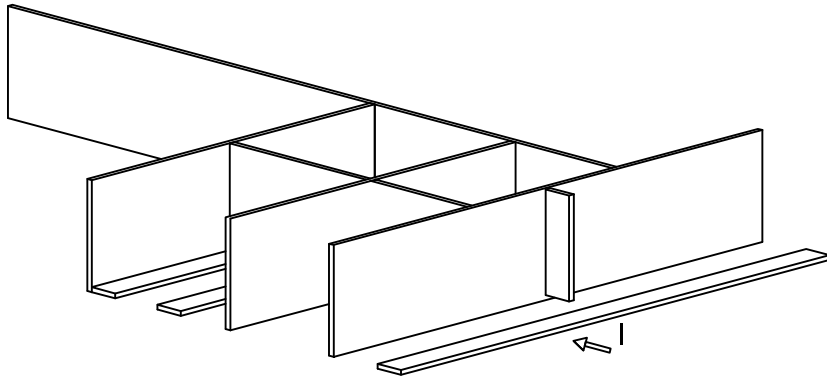
1.6



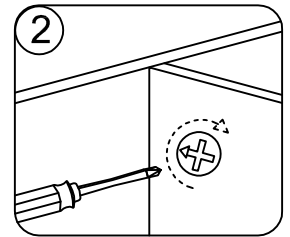
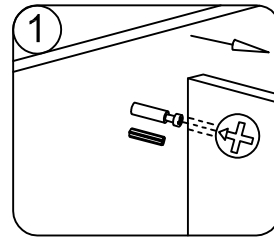
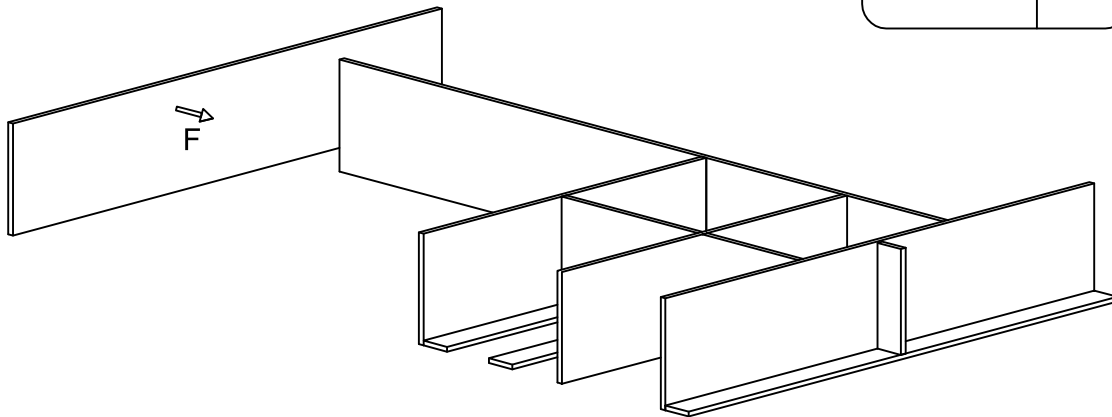
1.7



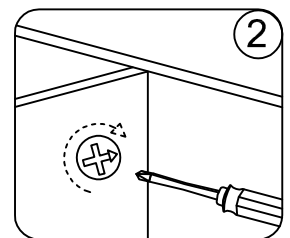
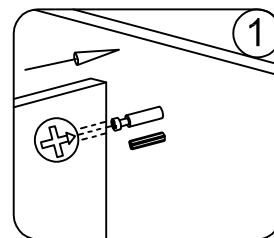
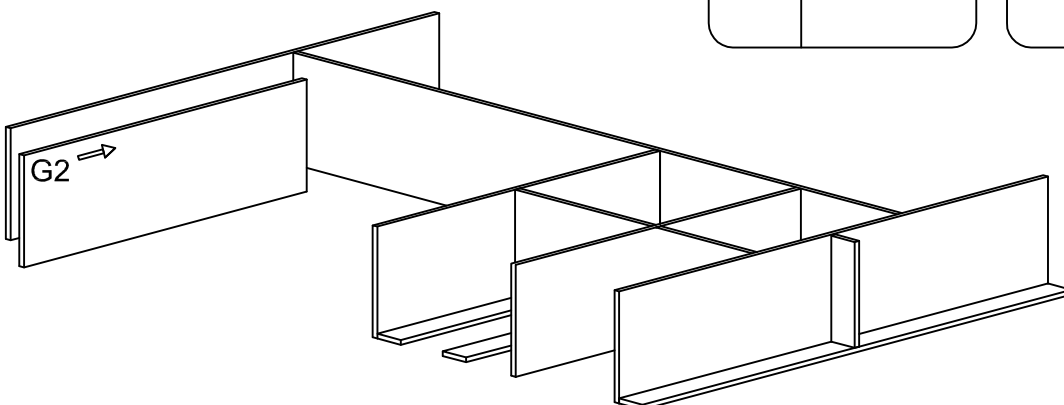
1.8



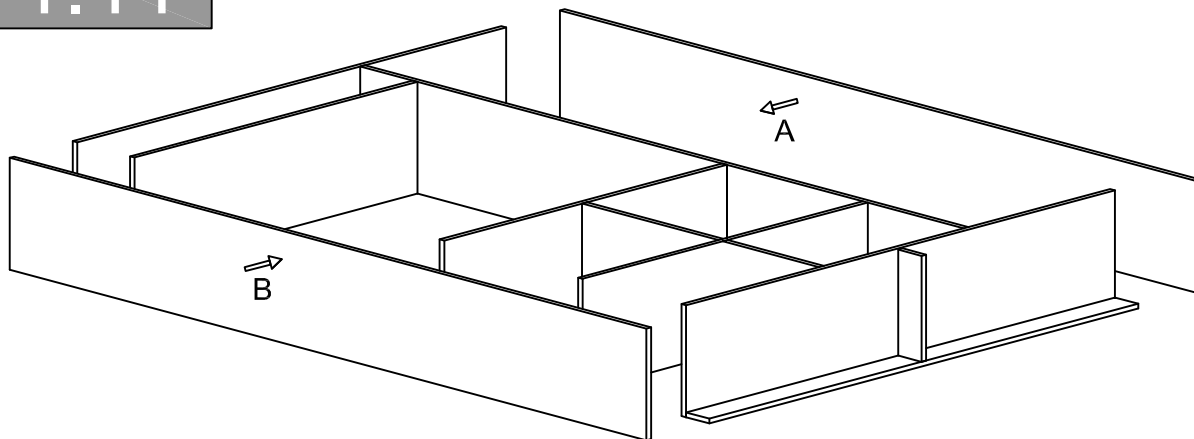
1.9



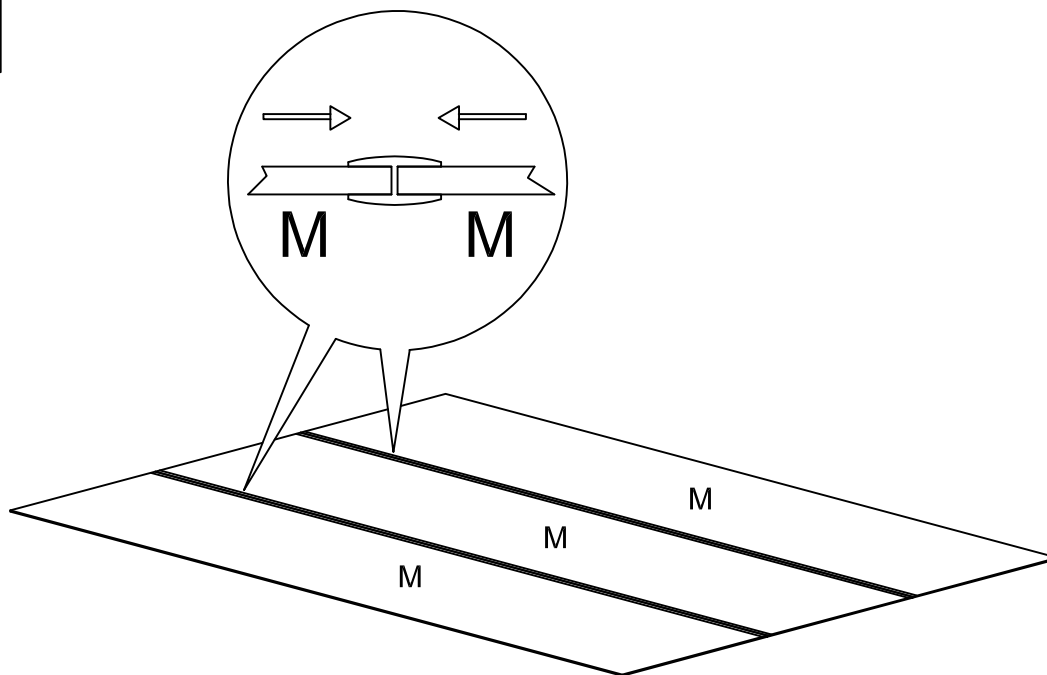
1.10



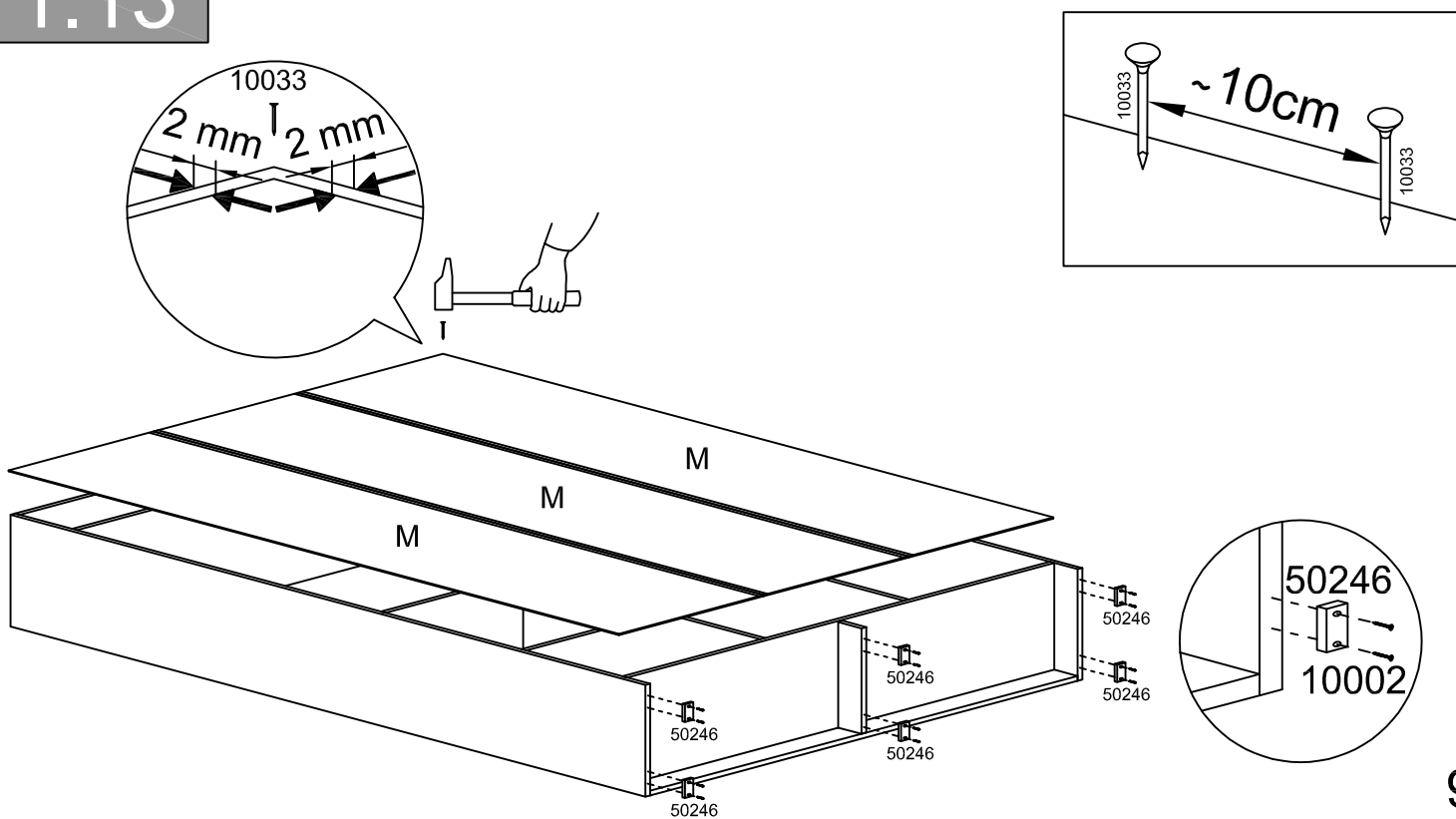
1.11



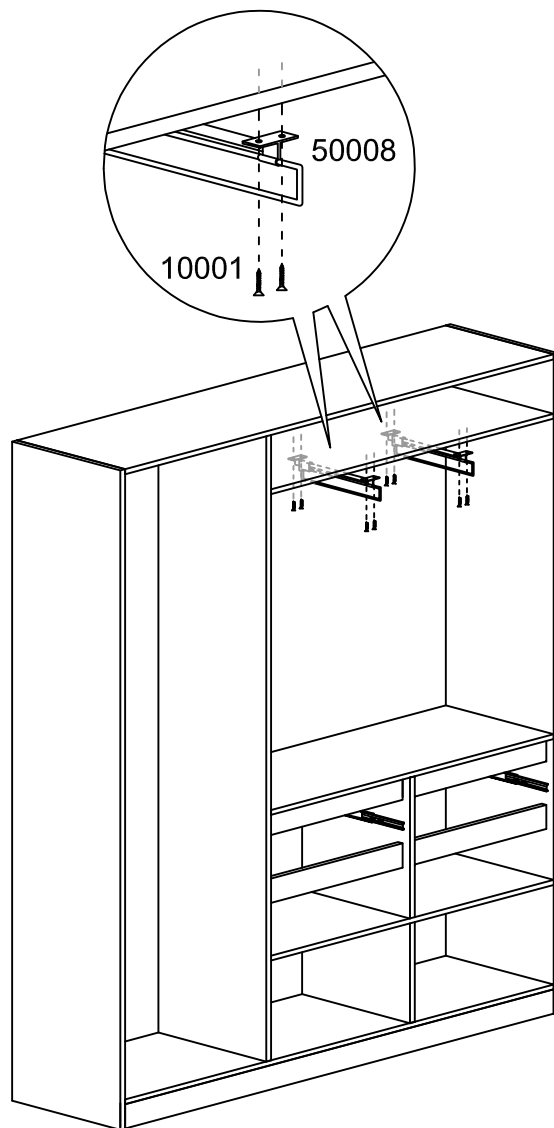
1.12



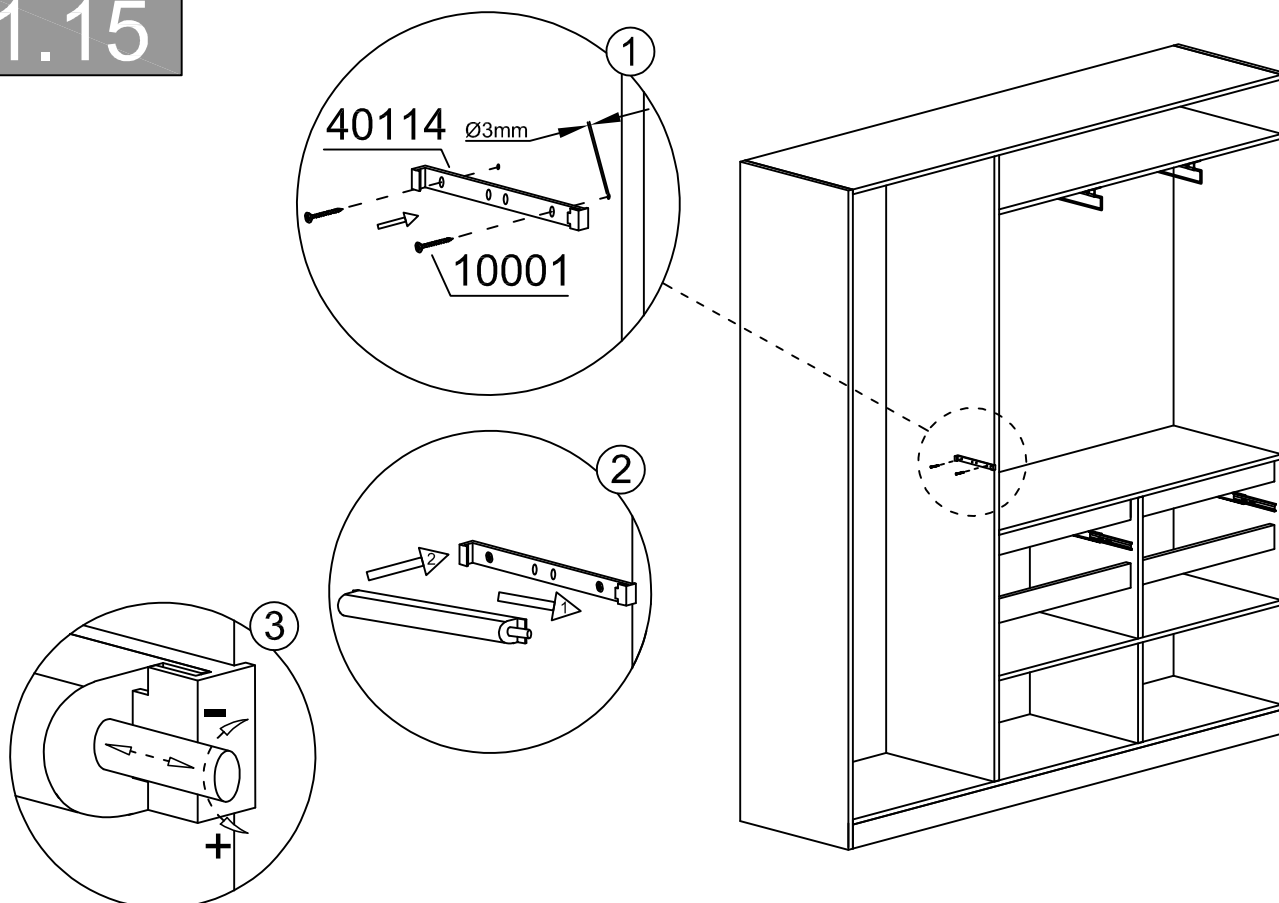
1.13



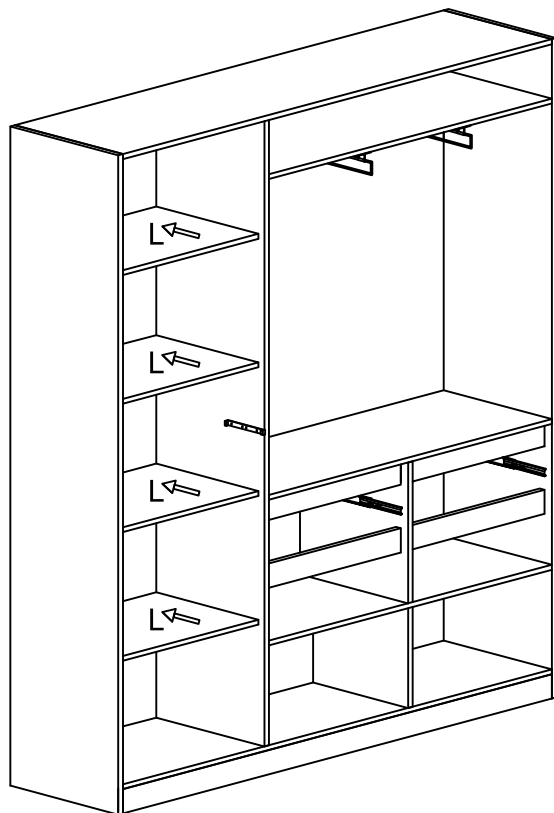
1.14



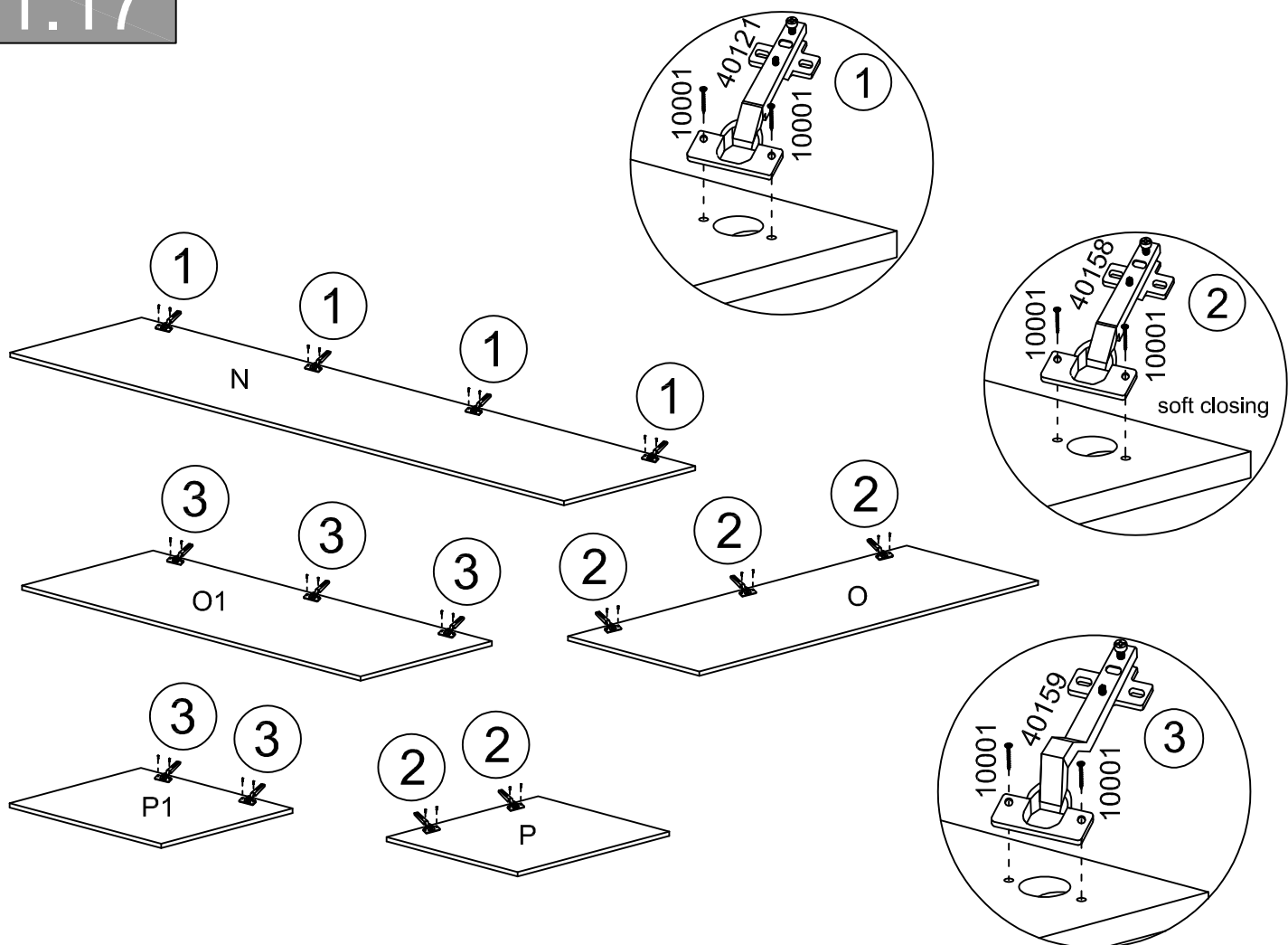
1.15



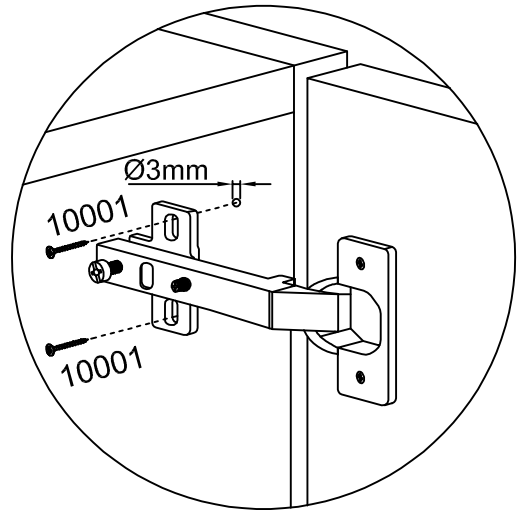
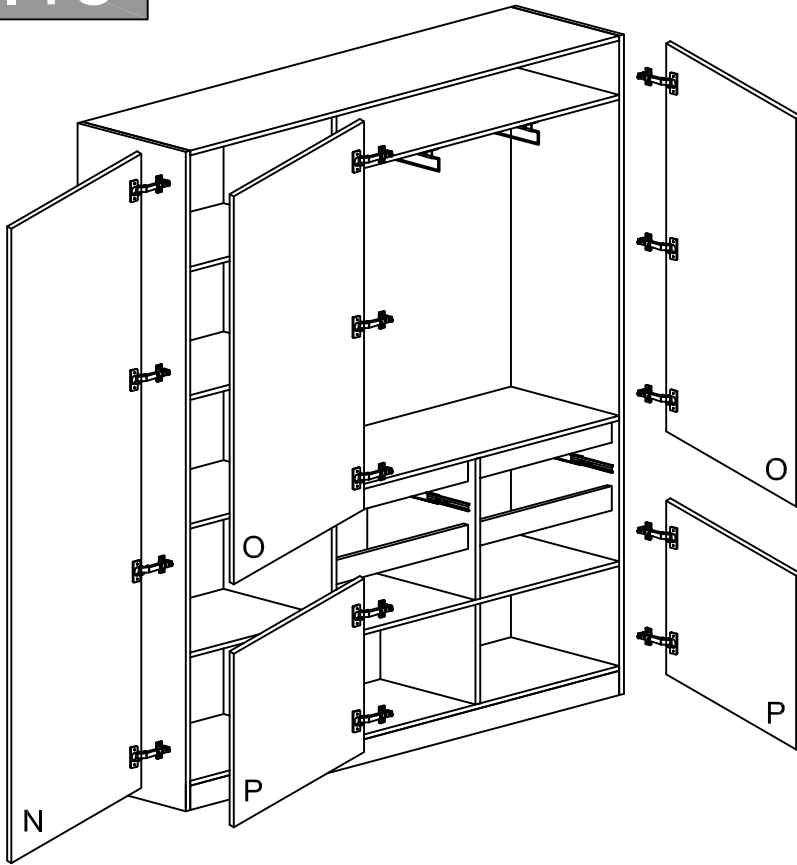
1.16



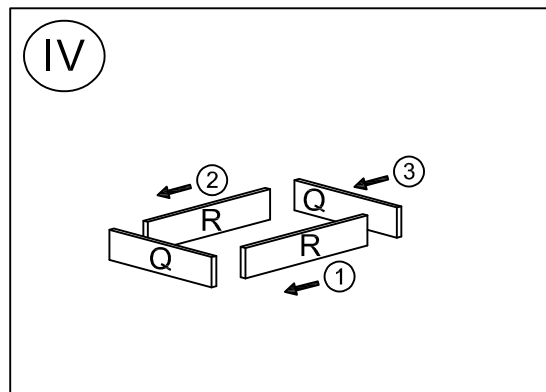
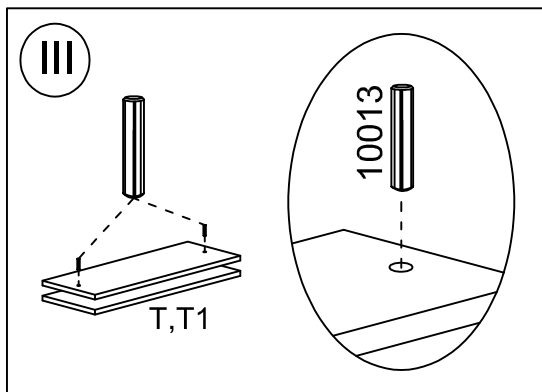
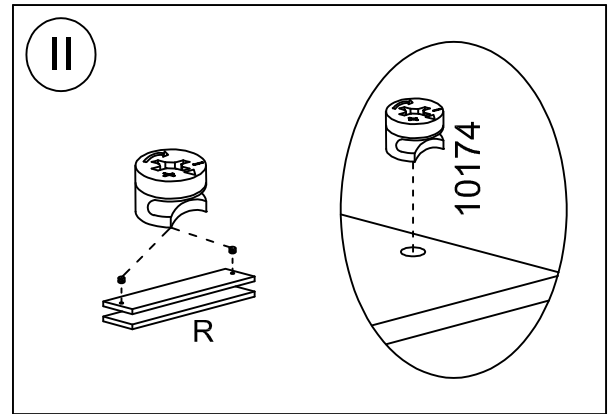
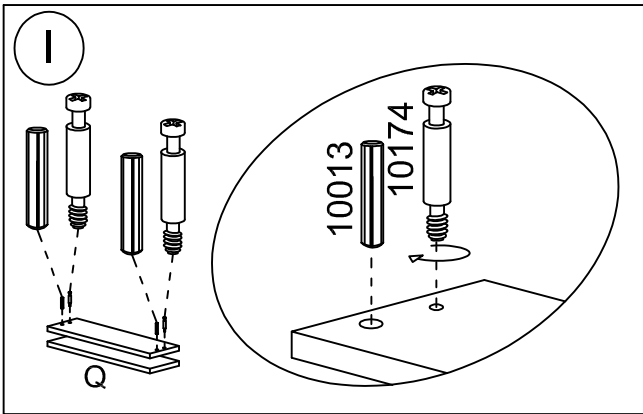
1.17

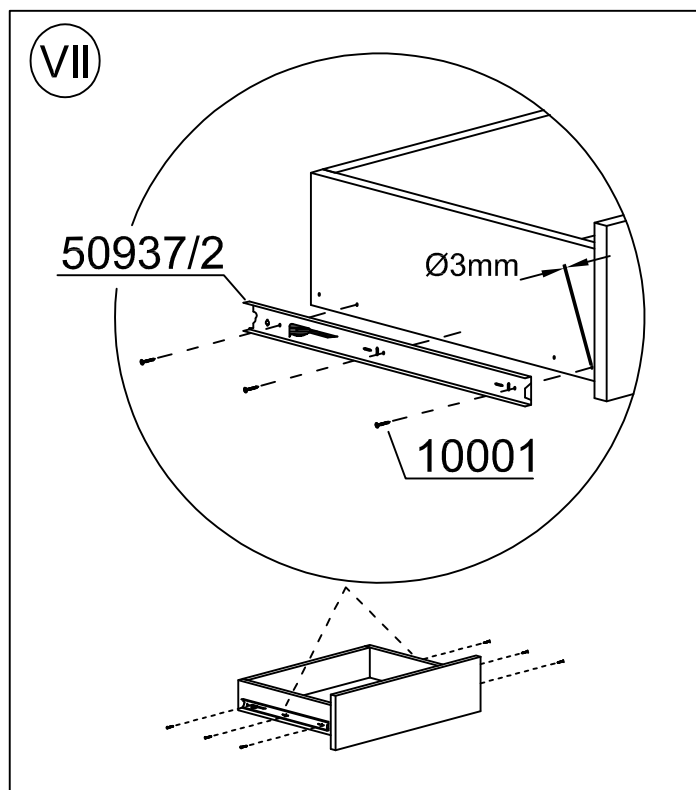
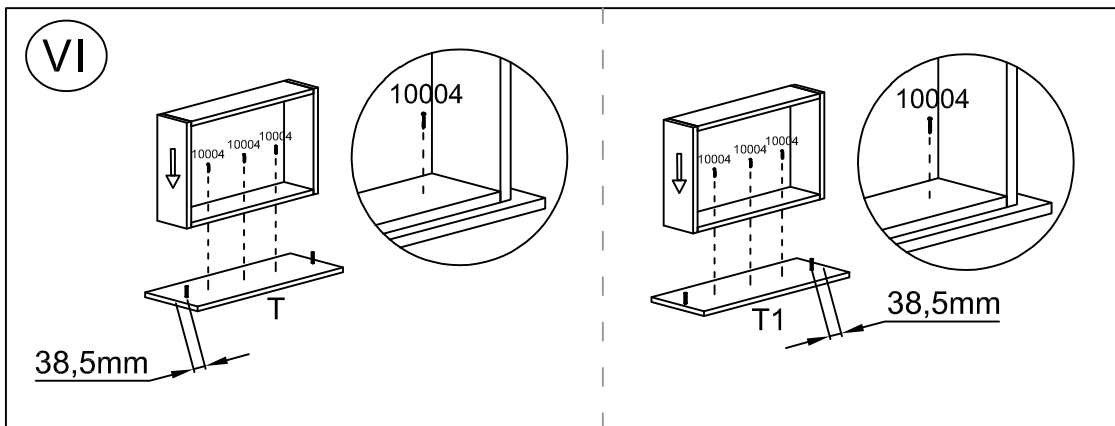
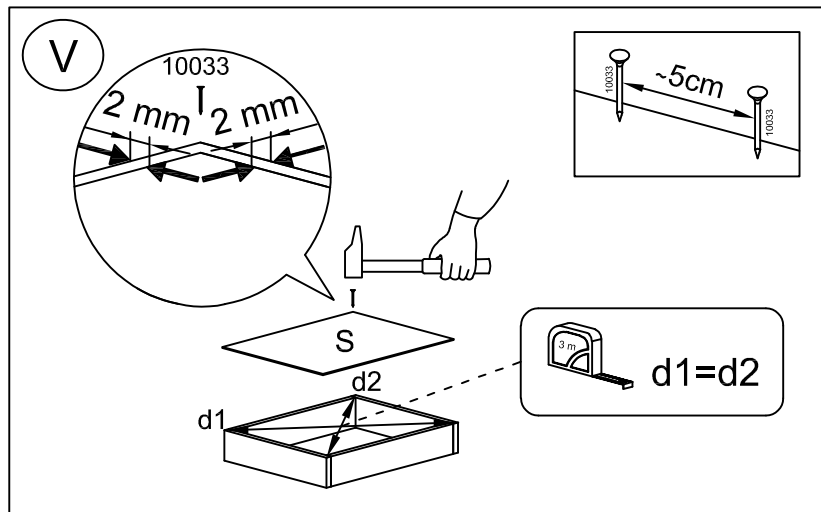


1.18

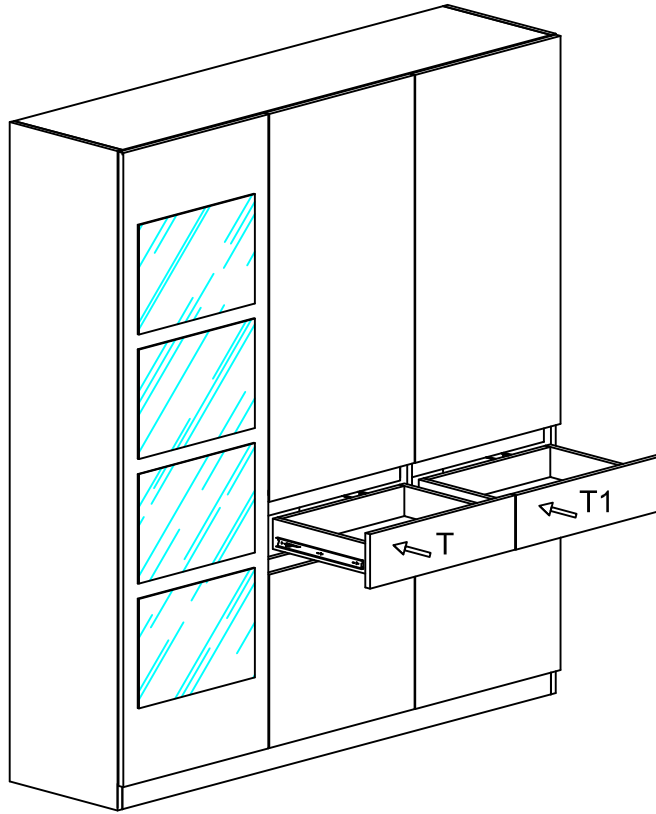


1.19





1.20



1.21

